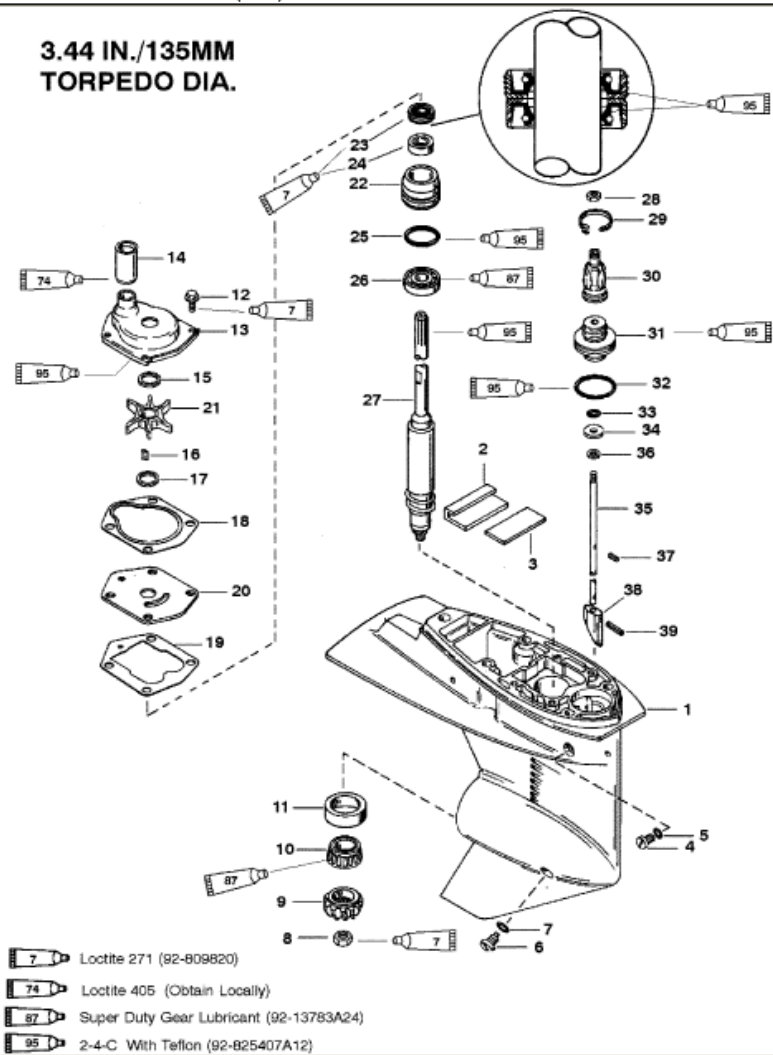


**3.44 IN./135MM
 TORPEDO DIA.**



GEAR HOUSING (DRIVE SHAFT)(2.00:1 GEAR RATIO)

Parts List						
Ref	Class	Part	Description	Qty	Comment	Footnote
-	1682	821306A 8	GEAR HOUSING	1	(SHORT-BLACK)	
-	1682	821306A 6	GEAR HOUSING	1	(LONG-BLACK)	
-	1682	821306A10	GEAR HOUSING	1	(X-LONG-BLACK)	
-	1682	821306A 9	GEAR HOUSING	1	(SHORT-GRAY)	
-	1682	821306A 7	GEAR HOUSING	1	(LONG-GRAY)	
-	1682	821306A11	GEAR HOUSING	1	(X-LONG-GRAY)	
1	1682	821306A12	GEAR HOUSING	1	(BASIC-BLACK)	
1	1682	821306A13	GEAR HOUSING	1	(BASIC-GRAY)	
2		818226A 1	SEAL/PLATE KIT	1		
3		NSS	PLATE (PART OF REF #2)	1		5
4	10	79953A 2	SCREW (.375-16 X .25)	1		
5	12	19183	WASHER-SEALING	1		2
6	22	67892A 1	DRAIN SCREW (MAGNETIC)	1		
7	12	19183	WASHER-SEALING	1		2
8	11	55910	NUT	1		
9	43	821326 1	PINION GEAR (13 TEETH)	1		4
10	31	821321A 2	BEARING ASSEMBLY-ROLLER	1		
11		NSS	CUP (PART OF REF #10)	1		5
12	10	824832 4	SCREW (M6 X 16)	4		
13	46	821351A 2	WATER PUMP ASSEMBLY	1		
14		823547 1	SEAL-WATER TUBE	1	(SHORT/LONG)	8,10
15	12	86645 1	WASHER	1		2,8,10
16	28	85119	KEY	1		8,10
17	12	86645 1	WASHER	1		2,8,10
18	27	822189	GASKET	1		2,8,10
19	27	822217	GASKET (LOWER)	1		2,8,10
20		821354 1	FACE PLATE	1		10
21	47	85089 3	IMPELLER	1		10
22	46	821307A 2	WATER PUMP BASE ASSEMBL	1		
23	26	821309	SEAL-OIL	1		8
24	26	821310	SEAL-OIL	1		8
25	25	821308	O RING	1		2,8
26	30	821311	BALL BEARING	1		
27	45	822466A 1	DRIVESHAFT	1	(SHORT)	
27	45	822159A 1	DRIVESHAFT	1	(LONG)	
27	45	822552A 1	DRIVESHAFT	1	(X-LONG)	
28	11	40021 2	NUT	1	(INCLUDED WITH REF #35)	
29		823548	CABLE TIE	1		8
30		822158	BOOT-SHIFT SHAFT	1		8
31		821827	RETAINER-SHIFT SHAFT	1		
32	25	26955	O RING	1		2,8